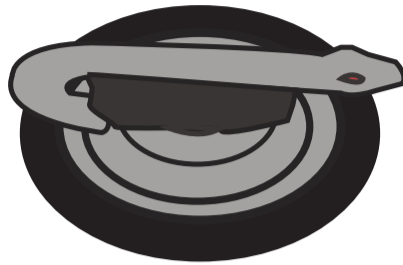


JUMPING SNAKE

INSTALLATION AND OPERATING INSTRUCTIONS

KEEP ALL PLASTIC AND WIRE PARTS AWAY FROM CHILDREN

PARTS:
JUMPING SNAKE
MODULE / SPRINGS
FEET (ATTACHED)



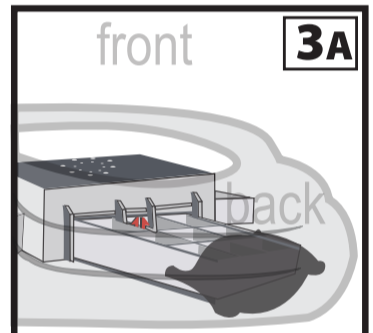
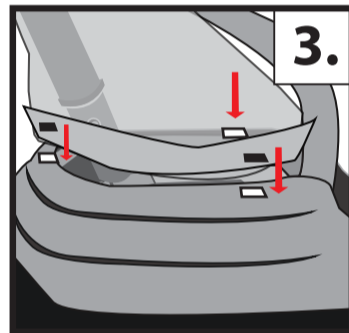
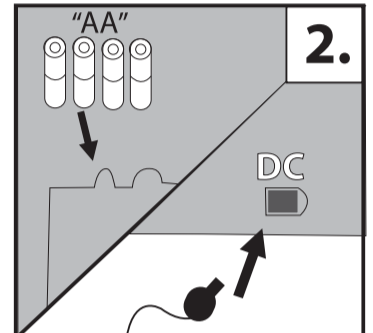
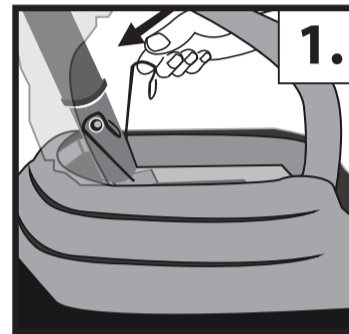
1. Lift fabric underneath Jumping Snake and attach springs as shown.
2. Insert 4 AA batteries into the battery compartment located on the top of the MODULE or connect the DC adapter. (Sold separately)

Note: Make sure there are no obstructions to hinder Jumping Snake's movement. Turn switch to the ON position to operate in Sound & Motion activation mode. Make a loud sound (clap) or move in front of the item to activate. Leave switch in OFF position when not in use.

3. Attach hook and loop fasteners on fabric to hook and loop fasteners located on Jumping Snake.

* Note: When needed, add weight or tape down feet to increase stability. (See illustration 3A)

4. Adjust wire in neck and head as desired to maximize scaring potential!

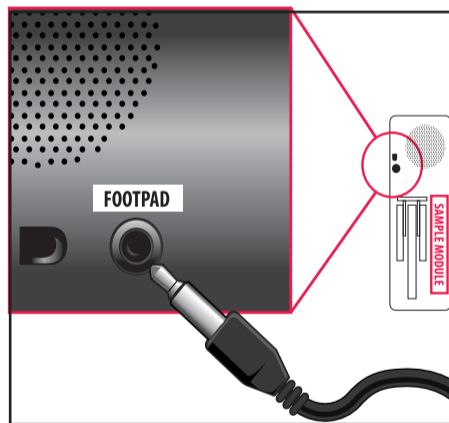


Optional Footpad Setup

Follow steps #1- #2 on initial installation first.

1. Connect the cable from the optional footpad to the jack labeled FOOTPAD located on the base.
2. Place the switch on the module into the 'FOOTPAD' position to enable FOOTPAD activation.
3. Step on FOOTPAD to activate the scary sequence. (go to instruction #3 to continue setup)

*Footpads are sold separately and can be purchased at www.spirithalloween.com



SMART PHONE SCAN SETUP VIDEO



VISIT US AT TEKKYTOYS.COM

Requires 4 'AA' Batteries
or optional DC adapter (6V 2A)

Surface washable only.

ALL NEW MATERIALS:
PLASTIC, POLYESTER,
POLYESTER FIBER

JUMPING SNAKE
is a trademark of Tekky Toys.
Copyright © 2013 Tekky Toys.
All Rights Reserved.
PATENT PENDING (13/352,490)
MADE IN CHINA

****No weight should be placed onto item****

****For indoor use only****

**Warning! This item is not a toy. For decoration only. Small parts, choking hazard.
This product is intended for use by persons 15 years of age and older.
Not intended for use by children ages 14 years and younger.**

**WARNING
DO NOT TURN THIS ITEM ON UNTIL YOU HAVE COMPLETELY FINISHED ASSEMBLY.**

STAY CLEAR OF ITEM WHILE OPERATING.



If you hear a constant "clicking" sound and this item does not function properly, it means that there is an obstruction preventing the item from operating (for example: rock, bush, incline, etc.). The clicking sound does not mean that it is broken, just remove any obstruction and the item should function normally.



DO NOT RETURN THIS ITEM TO THE STORE!
If experiencing technical difficulties, please go to
www.tekkytoys.com for assistance.