

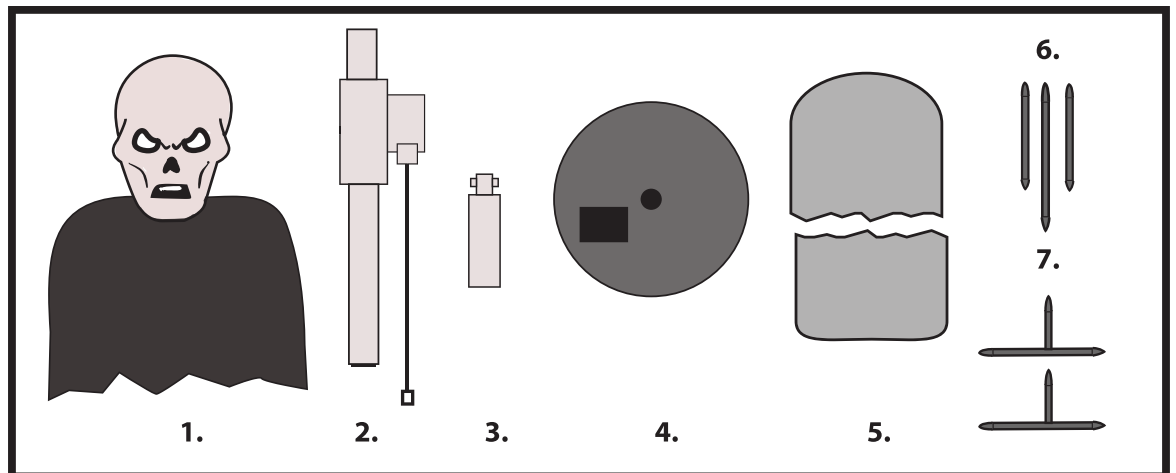
POP UP ZOMBIE WITH TOMBSTONE

INSTALLATION AND OPERATING INSTRUCTIONS

KEEP ALL PLASTIC AND WIRE PARTS AWAY FROM CHILDREN

PARTS

1. HEAD AND CLOTHES
2. UPPER POLE
3. BOTTOM POLE
4. BASE
5. TOMBSTONE (2 HALVES)
6. TOMBSTONE SPIKES (3)
7. TOMBSTONE FOOT SPIKES (2)



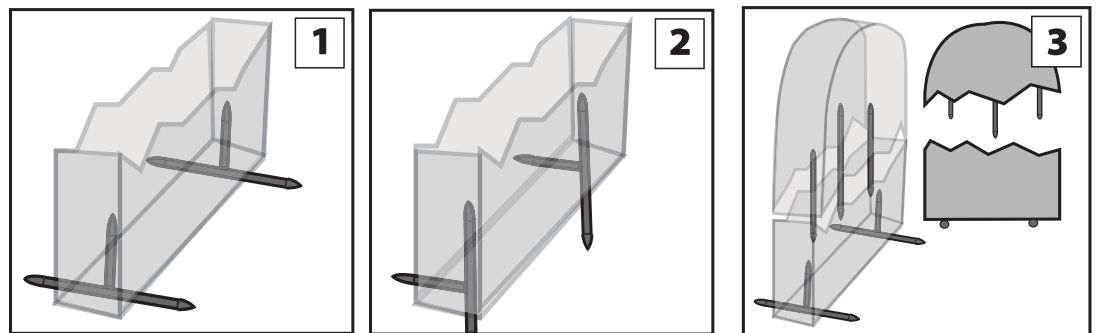
1. Insert 2 **TOMBSTONE FOOT SPIKES** into the bottom of the bottom half of **TOMBSTONE**.

Note: For indoor use, insert **TOMBSTONE FOOT SPIKES** as seen in illustration 1. For sheltered outdoor use, see Illustration 2. Use caution when inserting the plastic spikes into the ground, as they may break easily. We recommend puncturing a hole into the ground **BEFORE** inserting plastic spikes. Use a screwdriver or similar tool to puncture ground.

2. Insert 3 **TOMBSTONE SPIKES** into pre made holes in top half of **TOMBSTONE**, placing the long spike in the center, and attach top half of **TOMBSTONE** to bottom half of **TOMBSTONE**. See illustration 3.

3. Place **BASE** 3 inches in back of **TOMBSTONE**.

TOMBSTONE ASSEMBLY



IMPORTANT: MAKE SURE ITEM SWITCH IS IN "OFF" POSITION BEFORE ASSEMBLY

4. Insert **BOTTOM POLE** into **BASE**. (Match **C** to **C**)
Twist to lock.

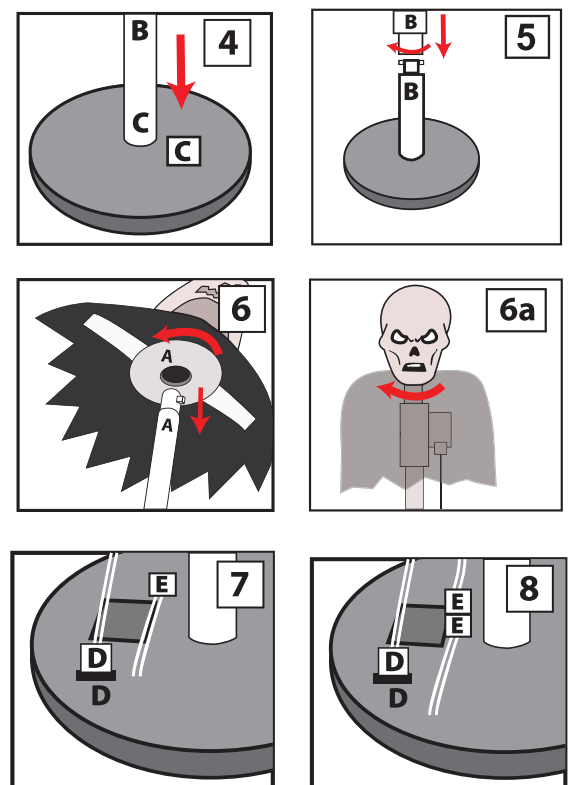
5. Insert **UPPER POLE** into **BOTTOM POLE**.
(Match **B** to **B**) Twist to lock.

6. Attach **HEAD AND CLOTHES** to **UPPER POLE**. (Match **A** to **A**)
Twist to lock. See illustrations 6 and 6a.

Important: **HEAD AND CLOTHES** must be fully twisted for item to operate.

7. Locate wire labeled **D** under clothing and insert wire into **BASE**. (Match **D** to **D**).

8. Connect wire located under clothing to wire coming from **BASE**. (Match **E** to **E**).

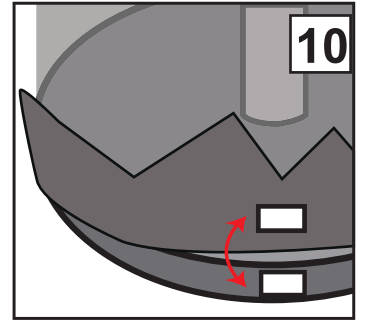
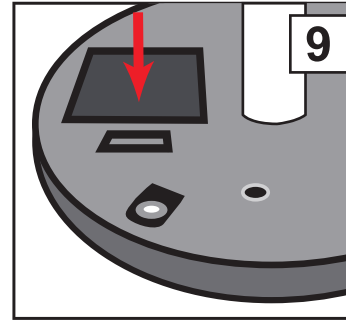


9. Insert 4 AA batteries (not included) into the battery compartment located on the **BASE**, or connect DC adapter (Sold Separately) to **BASE** (do not plug into wall until step 11).

Note: Turn switch on top of **BASE** to ON to operate in Sound activation mode. Leave switch in OFF position when not in use.

10. Attach the hook and loop fasteners located under clothing to the opposite hook and loop fasteners located on **BASE**.

11. Plug DC adapter (sold separately) into electrical outlet.



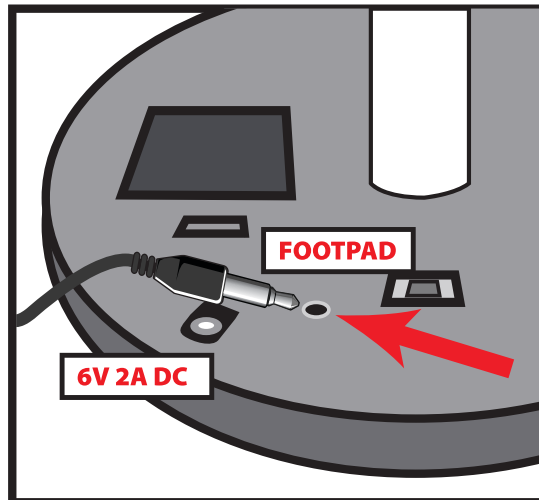
IMPORTANT: IMMEDIATELY STAND CLEAR WHEN TURNING SWITCH TO ON POSITION

Optional Footpad Setup

Follow steps #1 through 9 on initial installation first.

1. Connect the cable from the optional footpad to the jack labeled FOOTPAD located on the base.
2. Place the switch on the base into the 'FOOTPAD' position to enable FOOTPAD activation.
3. Step on FOOTPAD to activate the scary sequence. (go to instruction #10 to continue setup)

*Footpads are sold separately and can be purchased at www.spirithalloween.com



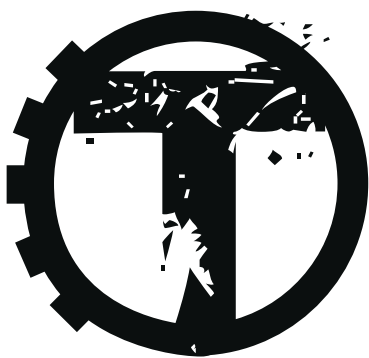
****No weight should be placed onto item****

Warning! This item is not a toy. For decoration only. Small parts, choking hazard. This product is intended for use by persons 15 years of age and older. Not intended for use by children ages 14 years and younger.

WARNING

DO NOT TURN THIS ITEM ON UNTIL YOU HAVE COMPLETELY FINISHED ASSEMBLY.

STAY CLEAR OF ITEM WHILE OPERATING!



TEKKY

VISIT US AT TEKKYTOYS.COM

Surface Washable Only.

ALL NEW MATERIALS :
PLASTIC, POLYESTER, POLYESTER FIBER
Pop Up Zombie with Tombstone is a trademark of Tekky Toys.
Copyright © 2013 Tekky Toys.
All Rights Reserved.
MADE IN CHINA



**SMART PHONE SCAN
SETUP VIDEO**



DO NOT RETURN THIS ITEM TO THE STORE!
If experiencing technical difficulties, please go to www.tekkytoys.com for assistance.