

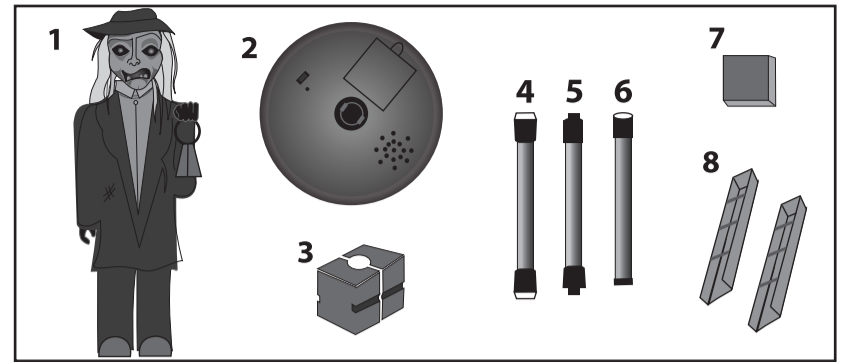
INSTALLATION AND OPERATING INSTRUCTIONS

KEEP ALL PLASTIC AND WIRE PARTS AWAY FROM CHILDREN

Setup Instructions: Grave Digger

Parts (6):

1. Head, Shoes & Clothing (*hands attached*)
2. Round Base
3. Weight Box
4. Upper Pole (labeled B & A)
5. Center Pole (labeled B & C)
6. Bottom Pole (labeled C & D)
7. Adapter
8. Support Feet



1.) Insert Upper Pole through hole on back of clothing and attach to receptacle on Head, Hands, Shoes & Clothing labeled A. (Matching A to A) Press until it clicks into place.

2.) Insert Center Pole through hole between pant legs and attach to upper pole. (Matching B to B) Press until it clicks into place.

3.) Insert Feet onto Base. Press to make sure supports are flush with Base.

4.) Insert Bottom Pole through plastic weight box into round base. (Matching D to D) Twist to lock.

5.) Connect center pole with bottom pole. (Matching C to C) Press until it clicks into place.

Note: Make sure Poles are inserted through fabric loops when attaching.

6.) Attach Velcro on plastic shoes to sides of round base.

Note: Plastic shoes should cover Feet attached onto Base.

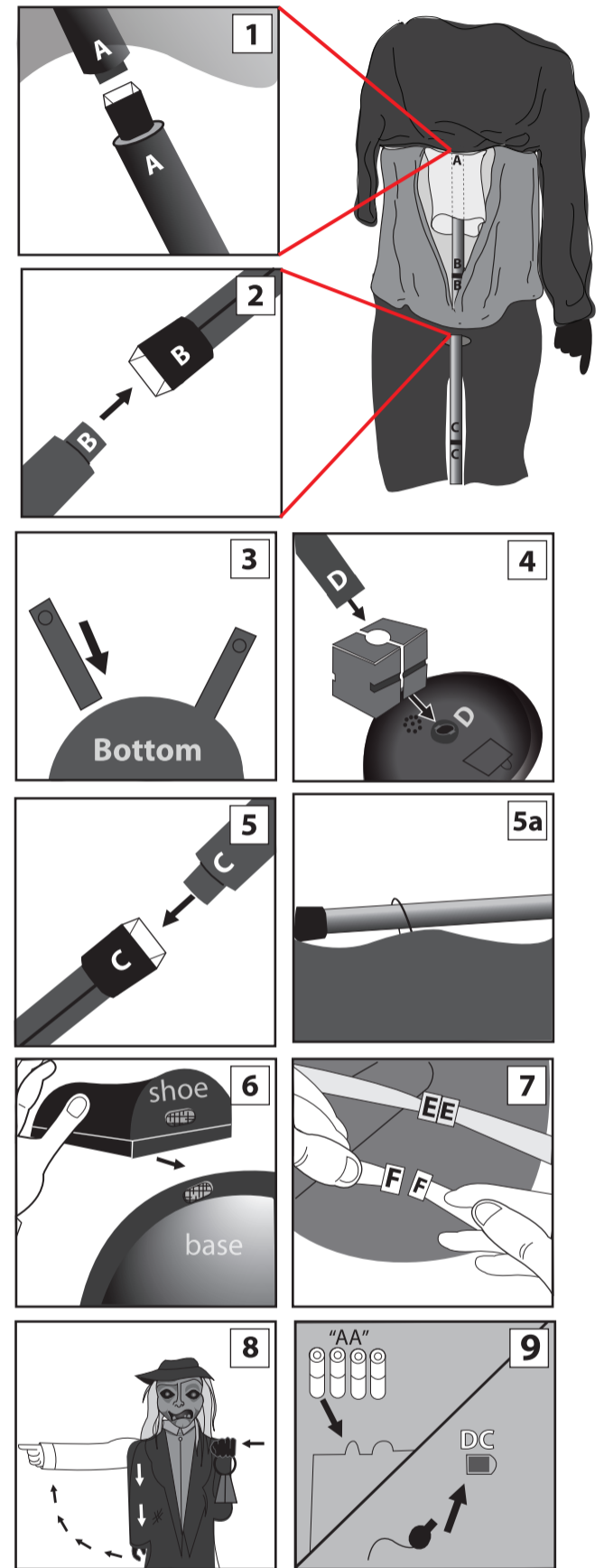
7.) Snap connect all wiring by connecting plugs coming from inside pants. (Matching E to E, F to F)

8.) Important! Straighten Grave Digger's pointing arm so it is completely straight and pointing straight down. His hand with lantern should be aligned closely to shoulder as shown.

9.) Insert four brand new, fresh AA batteries into the compartment located on base or connect 6V 2A Adapter (included) to operate.

Note: Turn switch on MODULE to ON to operate in Timer/Sound activation mode (Clap during 1.5 minute breaks to instantly start item playing again). Turn item OFF when not in use.

Make sure to place Grave Digger on level ground to ensure best operation. Keep area around Grave Digger clear of obstructions that may hinder movement.



Optional Footpad Setup

Follow Steps 1 through 9 on initial installation first.

1. Connect wire from the optional footpad to the jack labeled FOOTPAD located on the base.
2. Place the switch on the base into the 'FOOTPAD' position to enable FOOTPAD activation.
3. Step on FOOTPAD to activate the scary sequence.

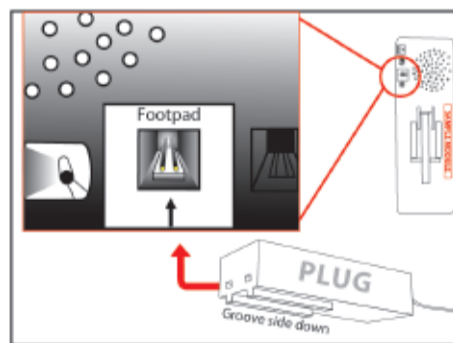
NOTE:

When plugging in, make sure pins line up properly with holes on plug. Align plug, groove side down, with the notch.

CAUTION!

Not aligning the plug to jack properly may cause permanent damage to Foot Pad jack of your item. Do not use excessive force when inserting plug.

*Footpads are sold separately and can be purchased at www.tekkytoys.com



Outdoor Warnings: For best overall performance, we recommend you operate your item in a sheltered outdoor area. We also recommend you bring your item indoors during adverse weather (extreme cold, strong winds and/or rain). This item operates best outdoors in temperatures above freezing (32°F). Tekky Toys recommends using fresh alkaline batteries for best operating performance.

No weight should be placed onto item

Warning! This item is not a toy. For decoration only. Small parts, choking hazard. This product is intended for use by persons 15 years of age and older. Not intended for use by children ages 14 years and younger.

DO NOT TURN THIS ITEM ON UNTIL YOU HAVE COMPLETELY FINISHED ASSEMBLY. STAY CLEAR OF ITEM WHILE OPERATING.

Requires 4'AA' Batteries
or optional DC Adapter (6V 2A)
Surface washable only.
ALL NEW MATERIALS:
PLASTIC, POLYESTER,
POLYESTER FIBER



DO NOT RETURN THIS ITEM TO THE STORE!
If experiencing technical difficulties, please go to
www.tekkytoys.com for assistance.



visit us:
www.tekkytoys.com

SMART PHONE SCAN
SETUP VIDEO



GRAVE DIGGER is a
trademark of Tekky Toys.
Copyright © 2011 Tekky Toys.
All Rights Reserved.