

# ROSEMARY ZOMBIE GIRL

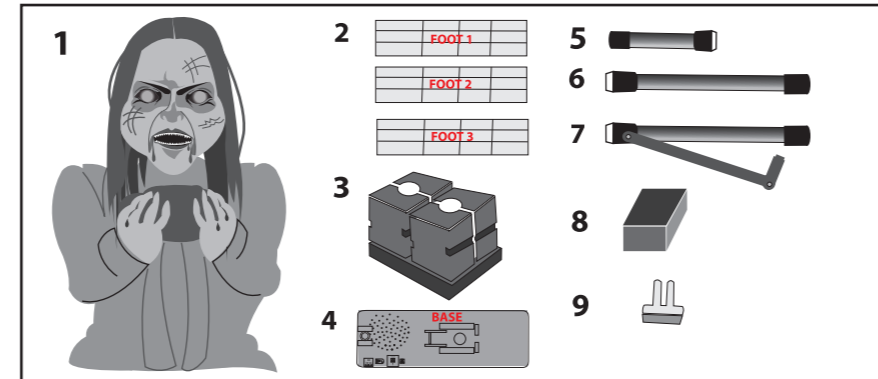
## INSTALLATION AND OPERATING INSTRUCTIONS

KEEP ALL PLASTIC AND WIRE PARTS AWAY FROM CHILDREN

### Setup Instructions: Rosemary Zombie Girl

#### Parts (9):

- |                               |                                  |
|-------------------------------|----------------------------------|
| 1. Head, Hands & Clothing     | 6. Center Pole (Labeled E & F)   |
| 2. Feet (3)                   | 7. Lower Pole (Labeled C, D & E) |
| 3. Weighted Foot              | 8. Adaptor Box                   |
| 4. Module                     | 9. Key                           |
| 5. Upper Pole (Labeled F & G) |                                  |



- 1.) Insert 3 Feet labeled A into bottom of Module. Match A to A. Snap to lock.** (See illustration 1a & 1b)

**Note:** Press to make sure Feet are flush with Module and snap lock into place. To remove Foot, insert plastic key (included) into holes on bottom to release locks and pull.

- 2.) Insert Weighted Foot onto back of Module. Match B to B. Snap to lock.**

**Note:** Find a flat, stable area to place your Rosemary Zombie Girl. (make sure there are no obstructions to hinder the upper body movement)

- 3.) Insert Lower Pole into receptacles on Module matching C to C and D to D. Snap to lock.**

- 4.) Insert Center Pole into Lower Pole matching E to E. Snap to lock.**

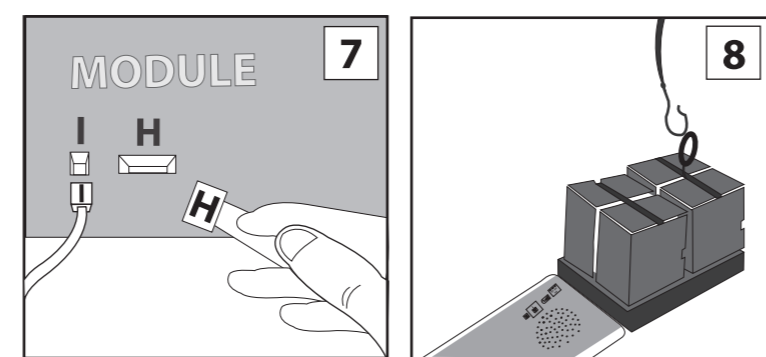
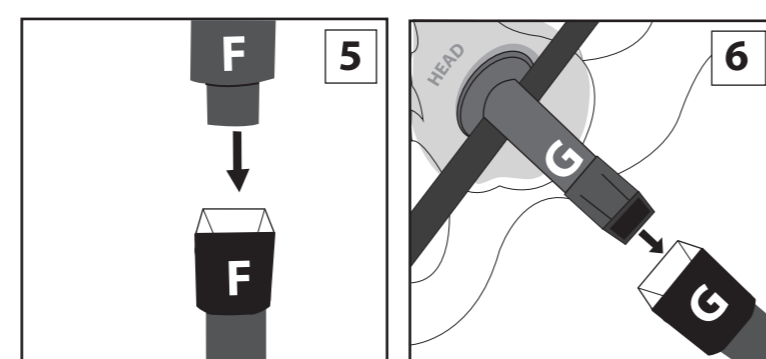
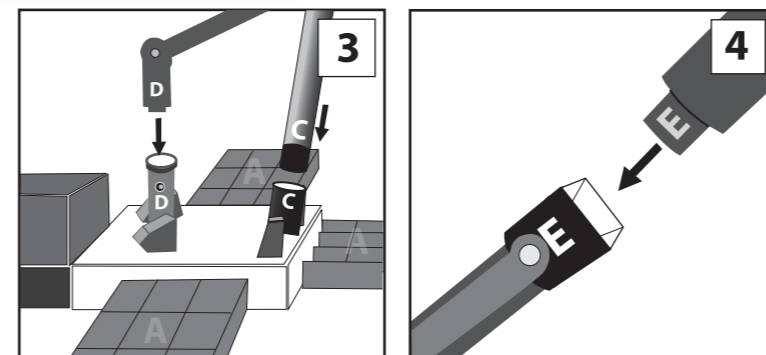
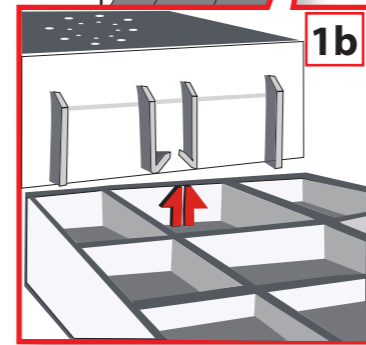
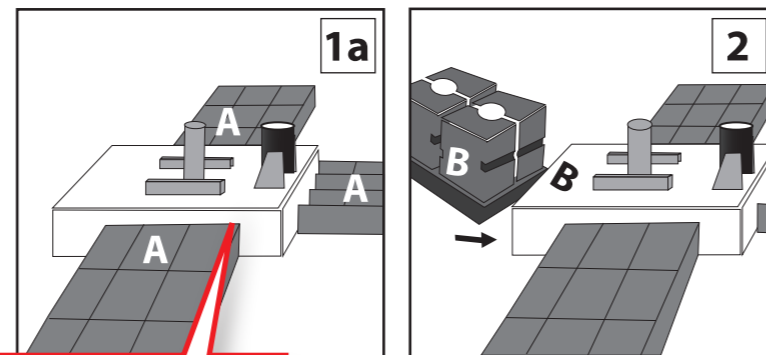
- 5.) Insert Upper Pole into Center Pole matching F to F. Snap to lock.**

- 6.) Attach Head, Hands & Clothing to Upper Pole matching G to G. Snap to lock.**

- 7.) Insert wires labeled H & I (located inside fabric clothing) to jacks on Module labeled H & I.**

- 8.) Hook metal wire (located inside the fabric clothing) to the plastic "O-ring" attached to Weighted Foot labeled B.**

**Note:** Make sure wire is not tangled or wound around Poles.



# ROSEMARY ZOMBIE GIRL

## Setup Instructions: Rosemary Zombie Girl

### Continued

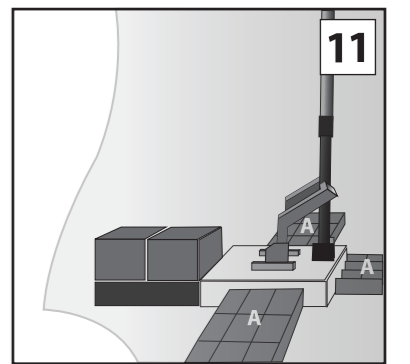
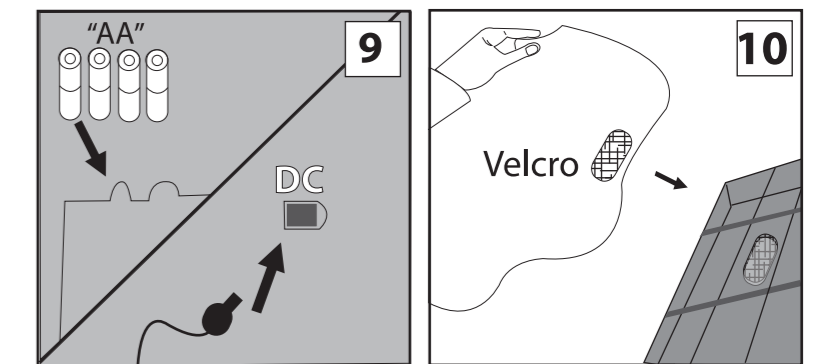
- 9.) Insert 4 AA Alkaline batteries into the battery compartment located on the Module, or connect DC adapter. (sold separately)**

**Note:** Place extra weight on Feet labeled A for increased stability.

- 10.) Attach velcro (located on the underside of Rosemary's clothing) to opposite velcro on 4 Feet.**

- 11.) Spread out clothing over Feet and Base, and straighten Rosemary's hair to give a realistic appearance.**

**Note:** Turn switch on top of Base to ON to operate in Sound activation mode. Leave switch in OFF position when not in use.



### Optional Footpad Setup

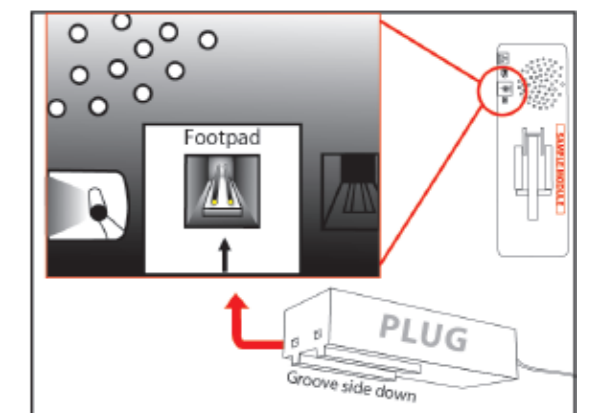
Follow Steps 1 through 9 on initial installation first.

1. Connect wire from the optional footpad to the jack labeled FOOTPAD located on the base.
2. Place the switch on the base into the 'FOOTPAD' position to enable FOOTPAD activation.
3. Step on FOOTPAD to activate the scary sequence. (Go to instruction #10 to continue setup.)

**NOTE:** When plugging in, make sure pins line up properly with holes on plug. Align plug, groove side down, with the notch.

**CAUTION!** Not aligning the plug to jack properly may cause permanent damage to Foot Pad jack of your item. Do not use excessive force when inserting plug.

\*Footpads are sold separately and can be purchased at [www.tekkytoys.com](http://www.tekkytoys.com)



If you hear a constant "clicking" sound and this item does not function properly, it means that there is an obstruction preventing the pole from lowering fully (for example: rock, bush, incline, etc.). The clicking sound does not mean that it is broken, just remove any obstruction and the item should function normally.

### SMART PHONE SCAN SETUP VIDEO



**\*\*No weight should be placed onto item\*\***

**Warning!** This item is not a toy. For decoration only. Small parts, choking hazard. This product is intended for use by persons 15 years of age and older. Not intended for use by children ages 14 years and younger.

**WARNING**  
**DO NOT TURN THIS ITEM ON UNTIL YOU HAVE COMPLETELY FINISHED ASSEMBLY.**  
Spring activated motion may cause injury if instructions are not followed correctly. Stay clear of item while operating.

**STOP** **DO NOT RETURN THIS ITEM TO THE STORE!**  
If experiencing technical difficulties, please go to [www.tekkytoys.com](http://www.tekkytoys.com) for assistance.



Visit us:  
[www.tekkytoys.com](http://www.tekkytoys.com)

Requires 4 AA Batteries or optional DC Adapter (6V 2A)  
Surface washable only.  
ALL NEW MATERIALS:  
PLASTIC, POLYESTER,  
POLYESTER FIBER

ROSEMARY ZOMBIE GIRL is a trademark of Tekky Toys. Copyright © 2011 Tekky Toys. All Rights Reserved.